**PRODUCT FEATURES:**

Single function shower head.
Brass ball joint to define the best position.
Easy to install.
Prevents hard water deposits, easy to clean in seconds, with the touch of a finger.
Aireavex® technology maximizes the air/water mix to deliver a great, comfortable and unique bathing experience while saving water.
This product can be used to help achieve water efficiency goals as well as gaining USGBC LEED points.

MATERIALS:

Solid brass, for durability and reliability.
Finishes with ultra high resistance to corrosion and tarnishing.

INSTALLATION:

Shower arm.
½" - 14 NPT inlet connection.

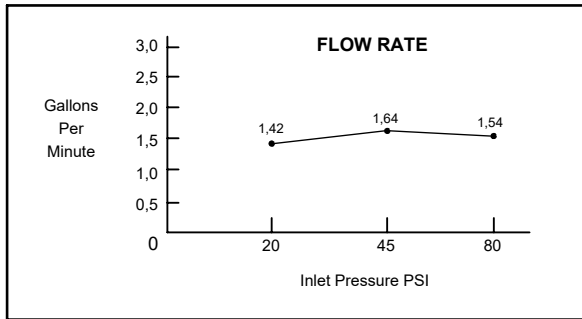
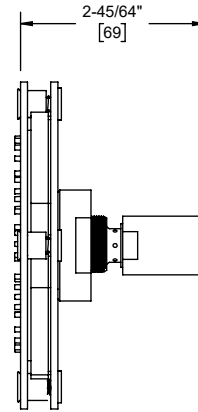
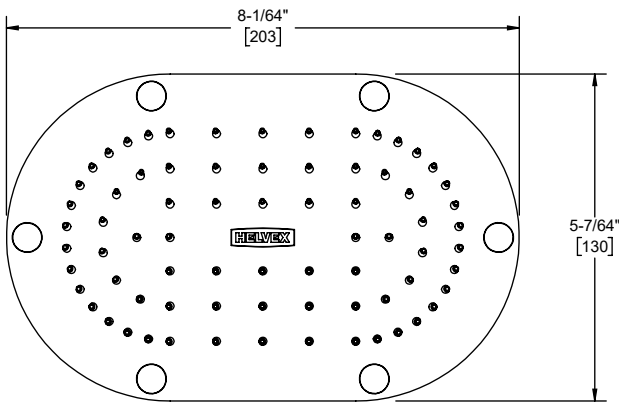
CODES AND STANDARDS:

ASME A112.18.1 / CSA B125.1-2018,
Plumbing Supply Fittings
EPA WaterSense Specifications for Showerheads

FINISHES:

BB PVD Brushed Brass
BW Bright White
MB Matte Black
PC Polished Chrome
PCO PVD Polished Copper
PG PVD Polished Gold
PGH PVD Polished Graphite
PN PVD Polished Nickel
RG PVD Rose Gold
SC PVD Satin Copper
SGH PVD Satin Graphite
SN PVD Satin Nickel
SRG PVD Satin Rose Gold

Estimated Dimensions Dim. inch. [mm]



WORKING PRESSURE:

Pmin.= 20 PSI

Pmax.= 80 PSI

MAXIMUM FLOW RATE:

1,64 GPM

NOTES:

Install the product according to the Installation Guide.