**PRODUCT FEATURES:**

Floor mount flushometer toilet.
Rectified bowl base for a perfect floor coupling.
Elongated bowl for more comfort.
Exposed trapway.
Fully glazed trapway, preventing clogs and bacteria.
Large water mirror for a cleaning optimal.
VÓRTICE system technology to generate a perfect waste removal.
The HET (High Efficiency Toilet) is in compliance with standards when operated with a flushometer valve of 1,28 GPF.
Low consumption.

MATERIALS:

High-gloss vitreous china.
Durable and scratch-resistant finishes.

INCLUDED COMPONENTS:

Floor fixing kit.
Ø 1 ½" inlet spud.

INSTALLATION:

Inlet connection coupling Ø 1 ½" top spud.
Outlet connection drain pipe Ø 4" with wax ring or sanitary flange.

OPERATION:

It operates with an electronic or mechanical 1,28 GPF flushometer valve.

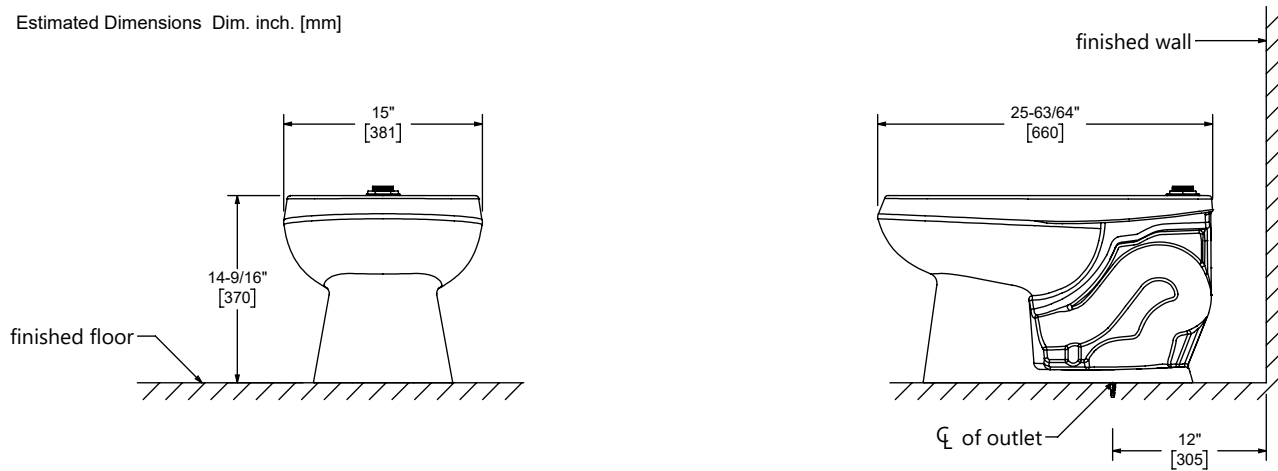
CODES AND STANDARDS:

ASME A112.19.2 / CSA B45.1-2018 -
Ceramic Plumbing Fixtures
CEC / DOE - ENERGY POLICY ACT 1992
ADA Compliant fixture complies with ICC/ANSI
A117.1

FINISHINGS:

W White
B Bone

Estimated Dimensions Dim. inch. [mm]



WORKING PRESSURE:

Pmin.= 20 PSI
Pmax.= 80 PSI

MAXIMUM CONSUMPTION:

1,28 GPF

NOTES:

Install the product according to the Installation Guide.