

**PRODUCT FEATURES:**

The grab bar is made of rust-resistant Ø1 1/4", gauge 18, stainless steel tube to offer strength and support when using in bathing area.

Hidden mounting without exposed screws.

Easy to install on masonry wall and mount on wood or metal studs.

Ideal for older adults, people with different disabilities and children.

Installation in accordance with ADA standard guidelines of the act.

**MATERIALS:**

Stainless steel, for durability and reliability.

Finishes with ultra high resistance to corrosion and tarnishing.

**INCLUDED COMPONENTS:**

Masonry fixing kit.

**NOTE:**

The grab bar provides support and safety, but is not designed to carry heavy weights.

**RESISTANCE:**

Support a static weight of up to 300 lb for a period of 5 minutes with full recovery.

**CODES AND STANDARDS:**

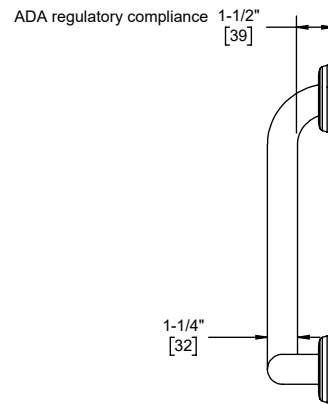
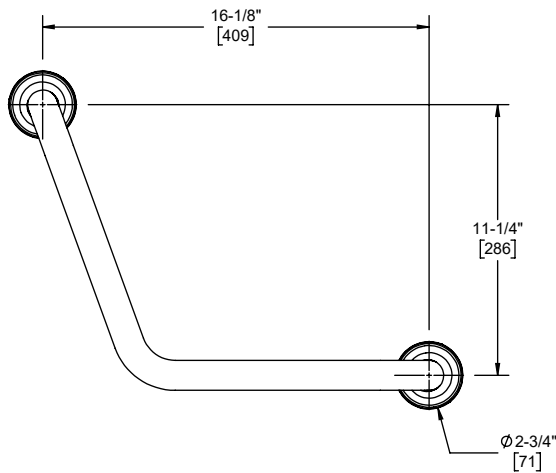
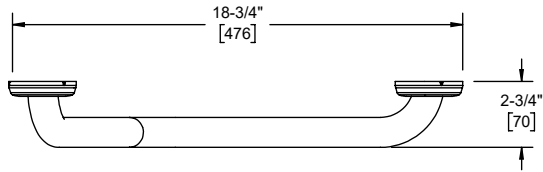
ASTM F446-2019, Standard Consumer Safety Specification for Grab Bars and Accessories Installed in the Bathing Area.

ADA Compliant fixture complies with ICC/ANSI A117.1

**FINISHES:**

Brushed

Estimated Dimensions Dim. inch. [mm]



Meets the americans with disabilities act guidelines and ICC/ANSI A117.1 requirements for accessible and usable building facilities-check local codes.

**NOTES:**

Install the product according to the Installation Guide.