**PRODUCT FEATURES:**

Cyclic shower TRIM set with 40 mm pressure balance cartridge.  
High hardness ceramic discs assures and extend cartridge lifetime without leakage.  
Easy installation and maintenance.

**MATERIALS:**

Solid brass, for durability and reliability.  
Finishes with ultra high resistance to corrosion and tarnishing.

**COMPONENTS INCLUDED:**

5/64" allen wrench.  
Cyclic cartridge.

**INSTALLATION:**

PBVR model pressure balance valve.

**OPERATION:**

To open the water flow, turn the handle to the right and to close it, turn it back to its initial position.  
To adjust the temperature, turn the handle to the right to increase the hot water gradually.

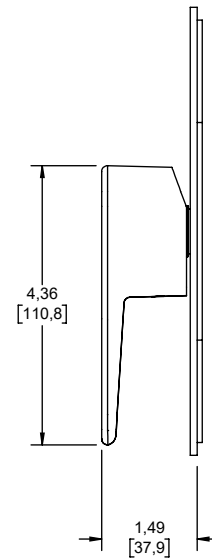
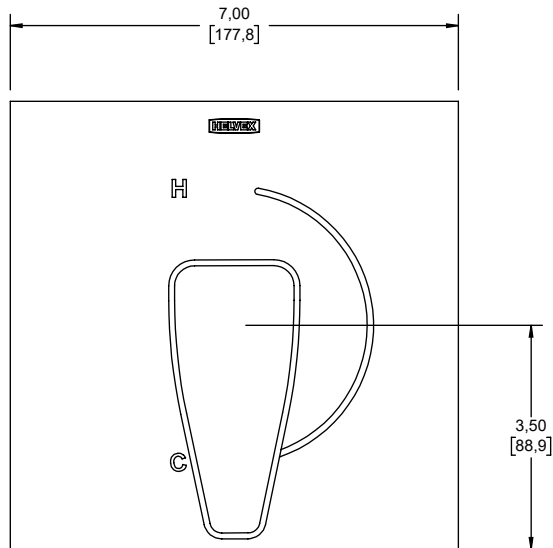
**CODES AND STANDARDS:**

ASME A112.18.1 / CSA B125.1-2018,  
Plumbing Supply Fittings  
ADA Compliant with ICC/ANSI A117.1

**FINISHINGS:**

BB	PVD Brushed Brass
BW	Bright White
MB	Matte Black
PC	Polished Chrome
PCO	PVD Polished Copper
PG	PVD Polished Gold
PGH	PVD Polished Graphite
PN	PVD Polished Nickel
RG	PVD Rose Gold
SC	PVD Satin Copper
SGH	PVD Satin Graphite
SN	PVD Satin Nickel
SRG	PVD Satin Rose Gold

Estimated Dimensions Dim. inch. [mm]



**WORKING PRESSURE:**

Pmin.= 20 PSI  
Pmax.= 80 PSI

**NOTES:**

Install the product according to the Installation Guide.